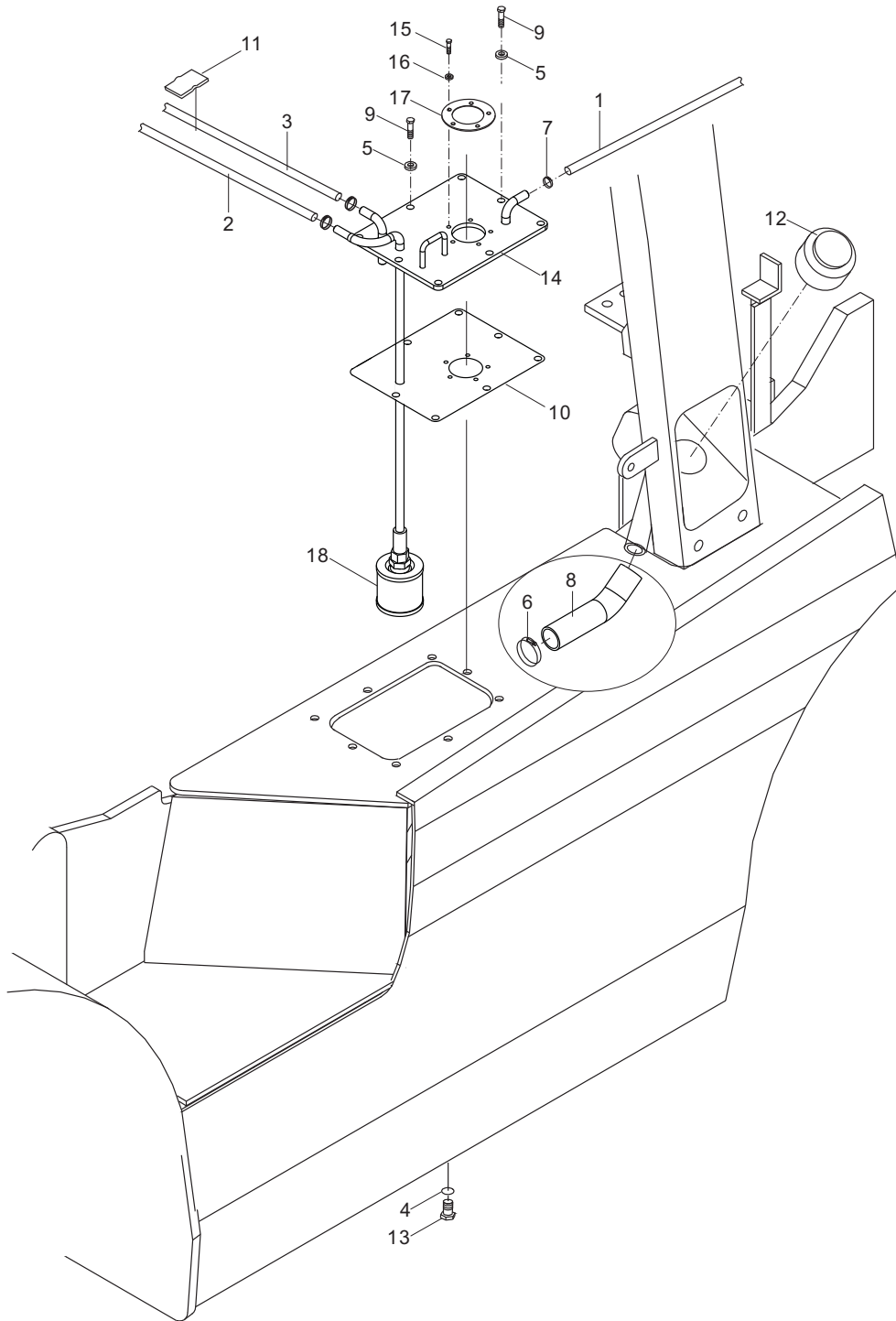


A 燃油系统
A FUEL SYSTEM



K3EA2-20001

A 燃油系统
A FUEL SYSTEM

| 序号 Item No. | 图号 PartNo. | 版本 Edition | 零部件名称 | Description | 件数 Q'ty | 备注 Remark | 适用时间 Applied time |
|-------------------|---------------|---------------|----------------------------|----------------|------------|---------------|-------------------------|
| A | K3EA2-20001 | 00 | 燃油系统 | Fuel system | 1 | | |
| 01 | Z7300-10052 | 00 | 低压胶管, $\Phi 10 \times 520$ | Hose | 1 | JB/T8406-2008 | |
| 02 | Z7300-08060 | 00 | 低压胶管, $\Phi 8 \times 600$ | Hose | 1 | JB/T8406-2008 | |
| 03 | Z7300-06060 | 00 | 低压胶管, $\Phi 6 \times 600$ | Hose | 1 | JB/T8406-2008 | |
| 04 | Z6700-03027 | 00 | 组合垫圈 30×2.7 | Washer | 1 | JB982-77 | |
| 05 | Z6700-00827 | 00 | 组合垫圈 8×2.7 | Washer | 8 | JB982-77 | |
| 06 | Z4592-50070 | 00 | 德式喉箍50-70 | Clip | 2 | | |
| 07 | Z4503-12022 | 00 | 德式喉箍12-22 | Clip | 6 | | |
| 08 | 3CA46-00-02 | 00 | 加油管 | Hose | 1 | | |
| 09 | B0330-08020 | 00 | 螺栓 $M8 \times 20$ | Bolt | 8 | GB5783-86 | |
| 10 | 52252-72071 | 00 | 盖板垫 | Packing | 1 | | |
| 11 | 3CA70-50-01 | 00 | 管夹 | Pipe clamp | 2 | | |
| 12 | 25782-21011 | 00 | 加油盖总成 | Cap | 1 | | |
| 13 | 22197-52081 | 00 | 放油螺塞 | Plug drain | 1 | | |
| 14 | K3EA2-10101 | 00 | 盖板总成 | Plate(Inc. 18) | 1 | | |
| 15 | B1210-05012 | 00 | 螺栓 $M5 \times 12$ | Bolt | 5 | GB818-85 | |
| 16 | H43E2-43201 | 00 | 组合垫圈 | Washer | 5 | | |
| 17 | Z3642-20042G | 00 | 垫 | Packing | 1 | | |
| 18 | A22A2-20701 | 00 | 滤油器 | Filter | 1 | | |