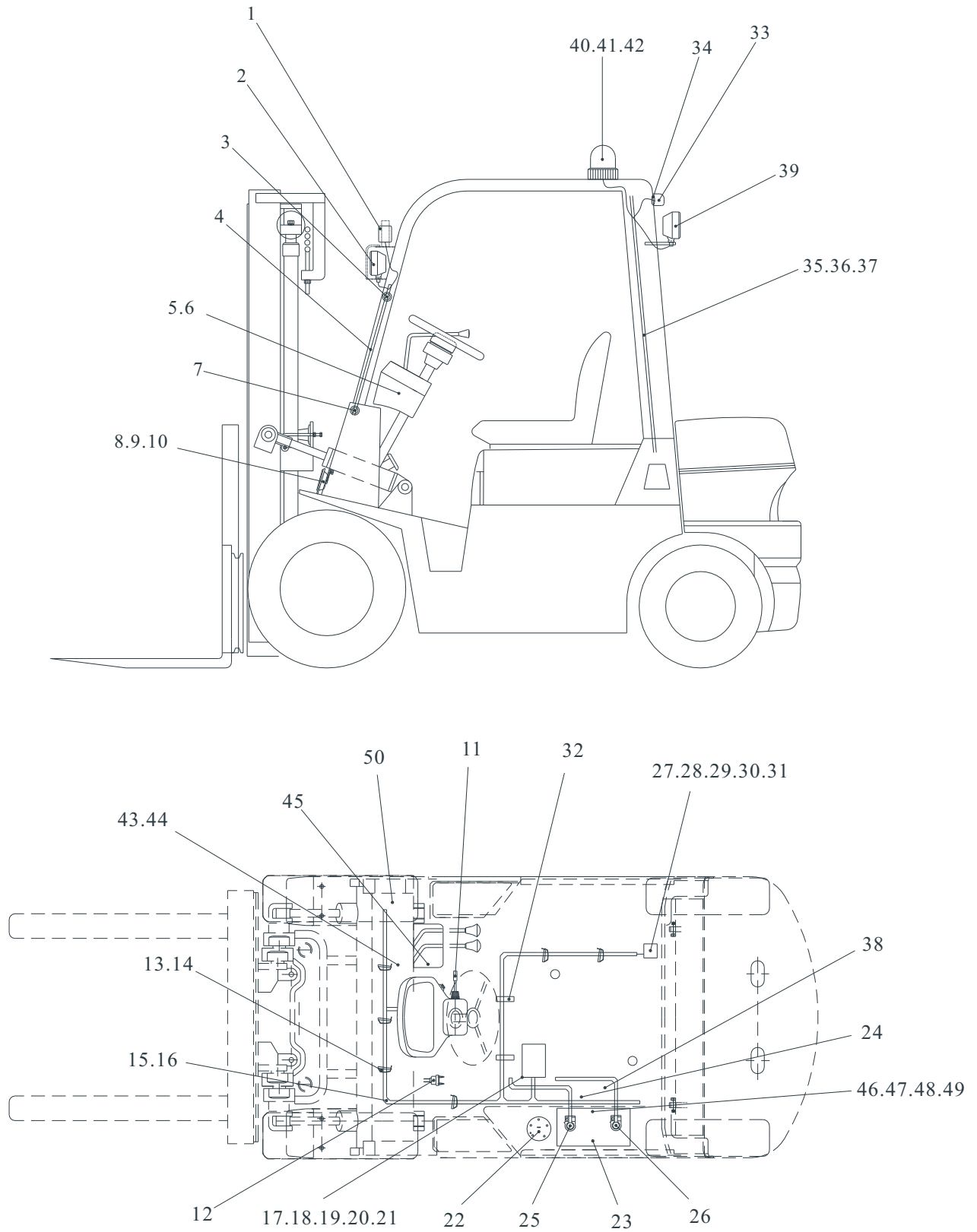


B 电气系统
B ELECTRIC SYSTEM



AF932-40001H

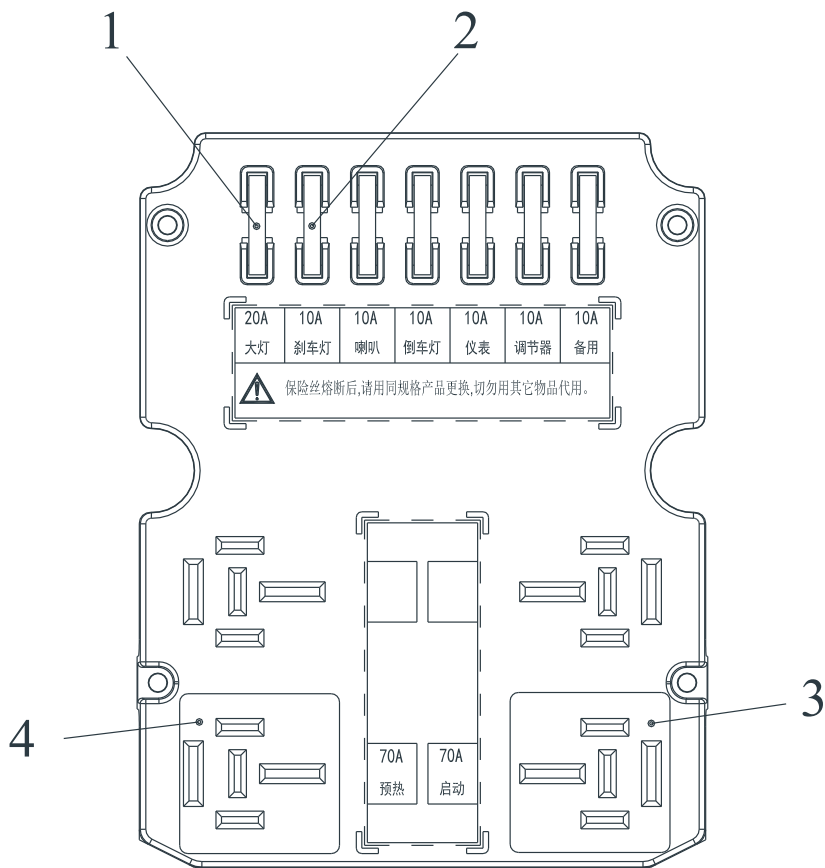
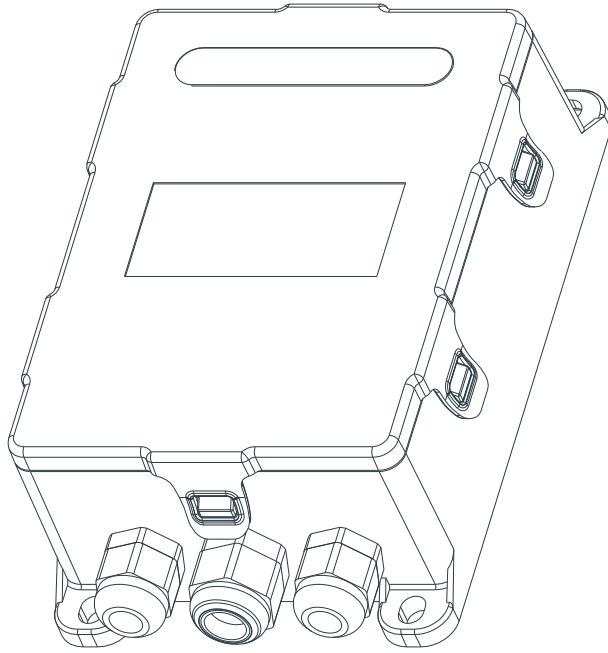
B 电气系统
B ELECTRIC SYSTEM

序号 Item No.	图号 PartNo.	版本 Edition	零部件名称	Description	件数 Q'ty	备注 Remark	适用时间 Applied time
A	AF932-40001H	00	电气系统	Electric system	1		
01	Z8610-12000	00	前组合灯	Front combination lamp assy	2	12V	
02	Z8600-120WD	00	前大灯	Head lamp	2	12V	
03	A22A2-40260X3	00	出线胶圈	Rubber ring	4	φ 34	
04	Z3652-42071H	00	前大灯线束	Cable, head lamp	2		
05	D04ZB909	00	组合仪表	Meter	1	不通用钥匙 Particular	
06	D04ZB909T	00	组合仪表	Meter	1	通用钥匙 Universal key	
07	A22A2-40260X2	00	出线胶圈	Rubber ring	2	φ 37	
08	Z8500-1D124	00	喇叭	Horn	1	12V	
09	B0330-08016	00	螺栓M8×16	Bolt	1	GB5783-86	
10	B5050-00008	00	弹簧垫圈8	Washer, lock	1	GB93-87	
11	Z8730-0802A	00	转向灯开关	Switch, turn signal	1		
12	Z8740-JK205B	00	刹车灯开关	Foot brake switch	1		
13	Z9260-50120	00	捆扎带5×120	Belt	8		
14	H2402-42131	00	固定可松式锁式扎带	Belt	14	L=110mm	
15	AF932-40301H	00	车身线束	Wiring harness, body	1		
16	AF932- 40301NFJ	00	车身线束	Wiring harness, body	1	选用Option	
17	DQH-012	00	集成电器盒	Electric box	1	见附表/See attachments	
18	AF932-42101	00	电气元件板	Bracket	1		
19	B8032-06016	00	螺钉M6X16	Screw	4	GB818-85	
20	B5050-00006	00	弹簧垫圈6	Washer, lock	4	GB93-87	
21	B5111-00006	00	平垫圈6	Washer	4	GB95-85	
22	D04RG4208	00	油量传感器	Fuel level sending unit	1		
23	Z8110-12080	00	蓄电池6-QW-80MF	Battery	1		
24	A06H2-40701	00	易熔丝	Fuse	1		
25	H0L32-42018	00	电瓶引线 (+)	Cable	1		
26	H0L32-42028	00	电瓶引线 (-)	Cable	1		
27	Z8510-120DZ	00	倒车蜂鸣器	Back buzzer	1	12V	
28	B0330-06016	00	螺栓M6×16	Bolt	1	GB5783-86	
29	B5050-00006	00	弹簧垫圈6	Washer, lock	1	GB93-87	
30	B5310-00006	00	平垫圈A级6	Washer	1	GB97.1-85	
31	B4133-00006	00	螺母M6	Nut	1	GB6170-86	

B 电气系统
B ELECTRIC SYSTEM

序号 Item No.	图号 PartNo.	版本 Edition	零部件名称	Description	件数 Q'ty	备注 Remark	适用时间 Applied time
32	3CA70-50-02	00	管夹	Clip	4		
33	Z8620-12000	00	后组合灯	Rear combination lamp assy	2	12V	
34	A22A2-42000A	00	后组合灯垫	Mat	2		
35	H24C2-40231FS	00	后护顶架线束	Wiring harness, overhead guard	1		
36	3CC70-40-00	00	后工作灯线束	Wiring harness, rear light	1	选用Option	
37	3CC70-90-01	00	警示灯线束	Wiring harness, caution light	1	选用Option	
38	Z8770-82210	00	油压报警开关	Switch	1		
39	Z8600-120WD	00	前大灯	Head lamp	1	12V, 选用 Option	
40	XH9-3MJ	00	警示灯	Caution light	1	12-24V, 选用 Option	
41	H24C2-40491	00	旋转式警示灯	Circling caution light	1	12-24V, 选用 Option	
42	H24C2-40492	00	旋转带蜂鸣式闪光灯	Alarm circling caution light	1	12-24V, 选用 Option	
43	4CC70-80-11	00	雨刮器线束	Wiring harness, windshield wiper	1	选用Option	
44	3CC70-80- 01YQGDX	00	雨刮器过渡线	Wiring harness, windshield wiper	1	3t~3.5t, 选用 Option	
45	D07NFJ012	00	暖风机总成	Warm air blower	1	12V, 选用 Option	
46	B1210-05016	00	螺钉M5×16	Screw	1	GB818-85	
47	B4133-00005	00	螺母M5	Nut	1	GB6170-86	
48	B5050-00005	00	弹簧垫圈5	Washer, lock	1	GB93-87	
49	B5310-00005	00	平垫圈A级5	Washer	1	GB97.1-85	
50	3CC70-80- 01DYGDY	00	电源过渡线	Wiring harness, source	1	3t~3.5t, 选用 Option	

B 电器盒
B ELECTRIC BOX



B 电器盒
B ELECTRIC BOX

序号 Item No.	图号 PartNo.	版本 Edition	零部件名称	Description	件数 Q'ty	备注 Remark	适用时间 Applied time
A	DQH-012	00	集成电器盒	Electirc box	1		
01	D06BX-20A	00	20A保险片	Fuse	1		
02	D06BX-10A	00	10A保险片	Fuse	6		
03	D07JD191- 70/80A	00	70/80A继电器	Relay	1	启动Starter	
04	D07JD191- 70/80A	00	70/80A继电器	Relay	1	预热Preheat	