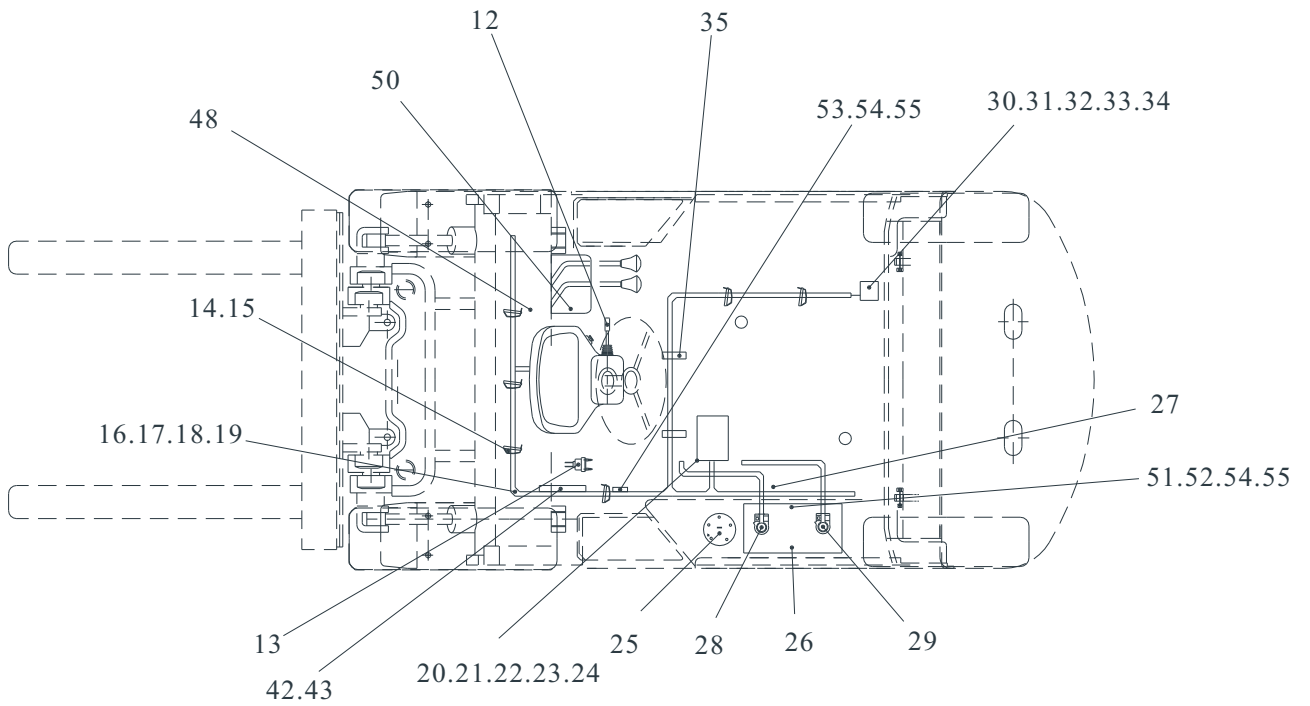
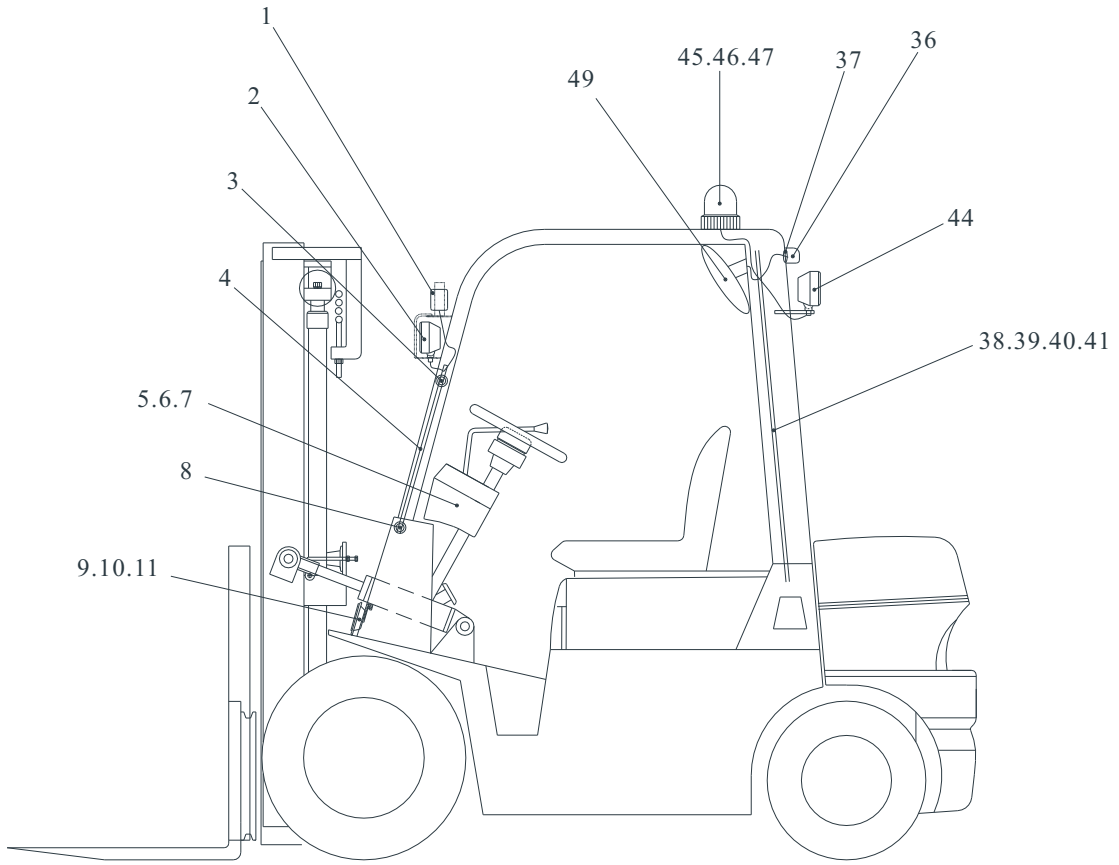


B 电气系统
B ELECTRIC SYSTEM



K9CG2-40001

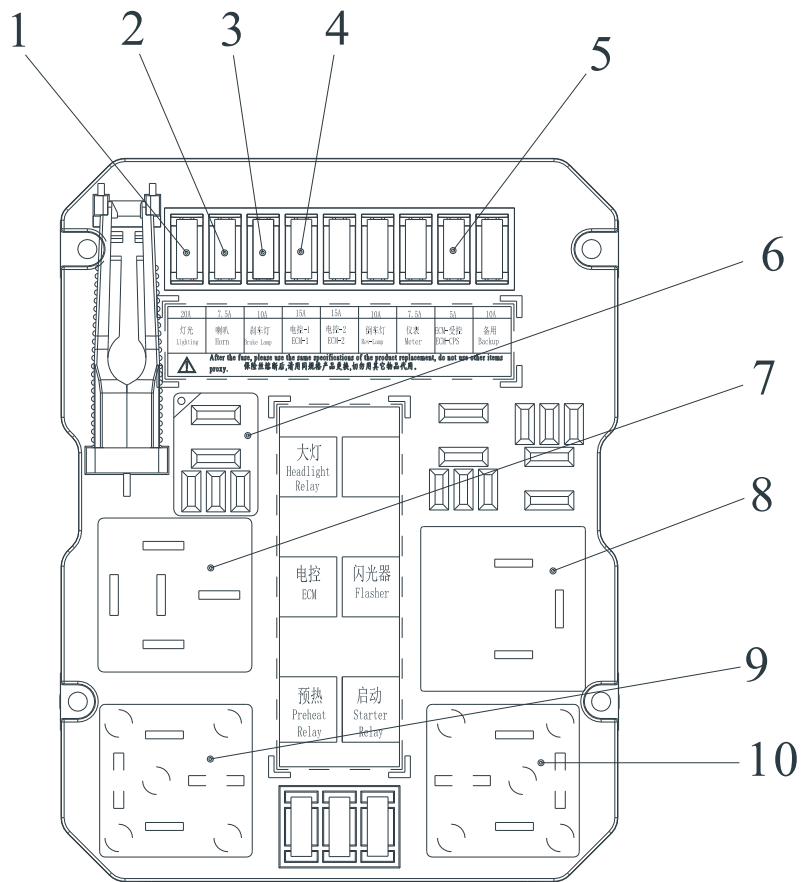
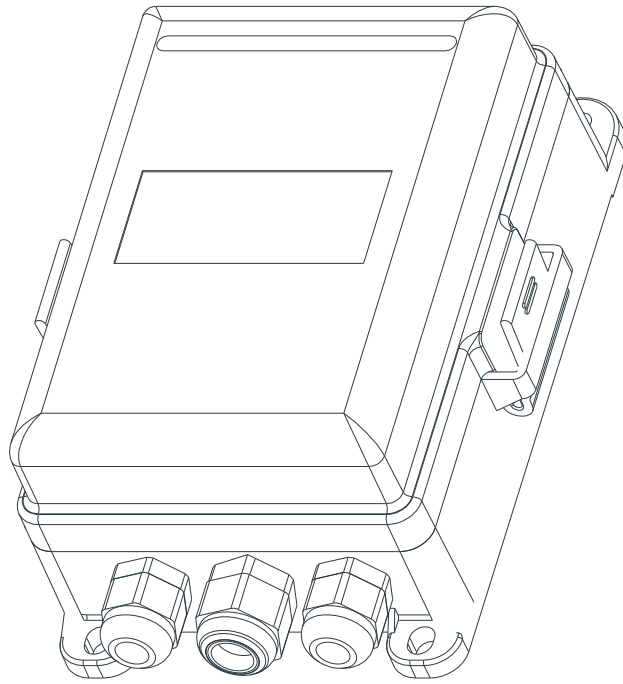
B 电气系统
B ELECTRIC SYSTEM

序号 Item No.	图号 PartNo.	版本 Edition	零部件名称	Description	件数 Q'ty	备注 Remark	适用时间 Applied time
A	K9CG2-40001	00	电气系统	Electric system	1		
01	K9EG2-40301	00	前组合灯	Front combination lamp assy	2	12V	
02	Z8600-120WD	00	前大灯	Head lamp	2	12V	
03	A22A2-40260X3	00	出线胶圈	Rubber ring	4	φ 34	
04	23652-42071H	00	前大灯线束	Cable, head lamp	2		
05	D04ZB909TE-01T-X	00	组合仪表	Meter	1	不通用钥匙 Particular	
06	D04ZB909TE-01T-X1	00	组合仪表	Meter	1	通用钥匙 Universal key	
07	A22A2-40260X2	00	出线胶圈	Rubber ring	2	φ 37	
08	DJ7011-6. 3-11	00	护套	Sheath	1		
09	Z8500-1D124	00	喇叭	Horn	1	12V	
10	B0330-08016	00	螺栓M8×16	Bolt	1	GB5783-86	
11	B5050-00008	00	弹簧垫圈8	Washer, lock	1	GB93-87	
12	Z8730-0802A	00	转向灯开关	Switch, turn signal	1		
13	Z8740-JK205B	00	刹车灯开关	Foot brake switch	1		
14	Z9260-80150	00	捆扎带8×150	Belt	8		
15	H24C2-42131	00	固定可松式锁式扎带	Belt	20	L=110mm	
16	K9LK2-40301HZ	00	车身线束	Wiring harness, body	1		
17	K9LK2-40301HZ-NFJ	00	车身线束	Wiring harness, body	1	选用Option	
18	K9LK2-40301HZ-JD	00	车身线束	Wiring harness, body	1	选用Option	
19	K9LK2-40301HZ-HD	00	车身线束	Wiring harness, body	1	选用Option	
20	D03JCDQ012WXT	00	集成电器盒	Electric box	1	见附表/See attachments	
21	AF932-42101	00	电气元件板	Bracket	1		
22	B8032-06016	00	螺钉M6X16	Screw	4	GB818-85	
23	B5050-00006	00	弹簧垫圈6	Washer, lock	4	GB93-87	
24	B5310-00006	00	平垫圈6	Washer	4	GB95-85	
25	D04RG4208	00	油量传感器	Fuel level sending unit	1		
26	Z8110-12080	00	蓄电池6-QW-80MF	Battery	1		
27	A06H2-40701	00	易熔丝	Fuse	1		
28	A91A2-40600HY	00	电瓶引线 (+)	Cable	1		
29	A91A2-40500HY	00	电瓶引线 (-)	Cable	1		
30	Z8510-120DZ	00	倒车蜂鸣器	Back buzzer	1	12V	
31	B0330-06016	00	螺栓M6×16	Bolt	1	GB5783-86	

B 电气系统
B ELECTRIC SYSTEM

序号 Item No.	图号 PartNo.	版本 Edition	零部件名称	Description	件数 Q'ty	备注 Remark	适用时间 Applied time
32	B5050-00006	00	弹簧垫圈6	Washer, lock	1	GB93-87	
33	B5310-00006	00	平垫圈A级6	Washer	1	GB97.1-85	
34	B4133-00006	00	螺母M6	Nut	1	GB6170-86	
35	3CA70-50-02	00	管夹	Clip	4		
36	Z8620-12000	00	后组合灯	Rear combination lamp assy	2	12V	
37	A22A2-42000A	00	后组合灯垫	Mat	2		
38	H24C2-40231FS	00	后护顶架线束	Wiring harness, overhead guard	1		
39	3CC70-40-00HD	00	后工作灯线束	Wiring harness, rear light	1	选用Option	
40	3CC70-90-01	00	警示灯线束	Wiring harness, caution light	1	选用Option	
41	3CC70-90-09	00	电风扇线束	Wiring harness, electric fan	1	选用Option	
42	B0330-06016	00	螺栓M6×16	Bolt	2	GB5783-86	
43	B0330-06035	00	螺栓M6×35	Bolt	1	GB5783-86	
44	Z8600-120WD	00	前大灯	Head lamp	1	12V, 选用 Option	
45	D08LEDSG	00	LED闪光警示灯	LED flashing caution light	1	12-24V, 选用 Option	
46	H2MD2-44301	00	LED旋转警示灯	LED circling caution light	1	12-24V, 选用 Option	
47	H2MD2-44401	00	LED旋转蜂鸣警示灯	LED alarm circling caution light	1	12-24V, 选用 Option	
48	4CC70-80-61	00	雨刮器线束	Wiring harness, windshield wiper	1	选用Option	
49	FYSCB-TD031	00	电风扇	Electric fan	1	12V, 选用 Option	
50	D07NFJ012	00	暖风机总成	Warm air blower	1	12V, 选用 Option	
51	B1210-05016	00	螺钉M5×16	Screw	1	GB818-85	
52	B4133-00005	00	螺母M5	Nut	1	GB6170-86	
53	B1210-05010	00	螺钉M5×10	Screw	2	GB818-85	
54	B5050-00005	00	弹簧垫圈5	Washer, lock	3	GB93-87	
55	B5310-00005	00	平垫圈A级5	Washer	3	GB97.1-85	

B 电器盒 B ELECTRIC BOX



D03JCDQ012WXT

B 电器盒
B ELECTRIC BOX

序号 Item No.	图号 PartNo.	版本 Edition	零部件名称	Description	件数 Q'ty	备注 Remark	适用时间 Applied time
A	D03JCDQ012WXT	00	集成电器盒	Electirc box	1		
01	D06MINI-20A	00	20A保险片	Fuse	1		
02	D06MINI-7.5A	00	7.5A保险片	Fuse	2		
03	D06MINI-10A	00	10A保险片	Fuse	3		
04	D06MINI-15A	00	15A保险片	Fuse	2		
05	D06MINI-5A	00	5A保险片	Fuse	1		
06	D07JD191-30A	00	30A继电器	Relay	1	大灯Headlight	
07	D07JD191-40A	00	40A继电器	Relay	1	电控ECM	
08	D07SG14143	00	闪光器	Flasher	1		
09	D07JD191- 70/80A	00	70/80A继电器	Relay	1	预热Preheat	
10	D07JD191- 70/80A	00	70/80A继电器	Relay	1	启动Starter	

D03JCDQ012WXT