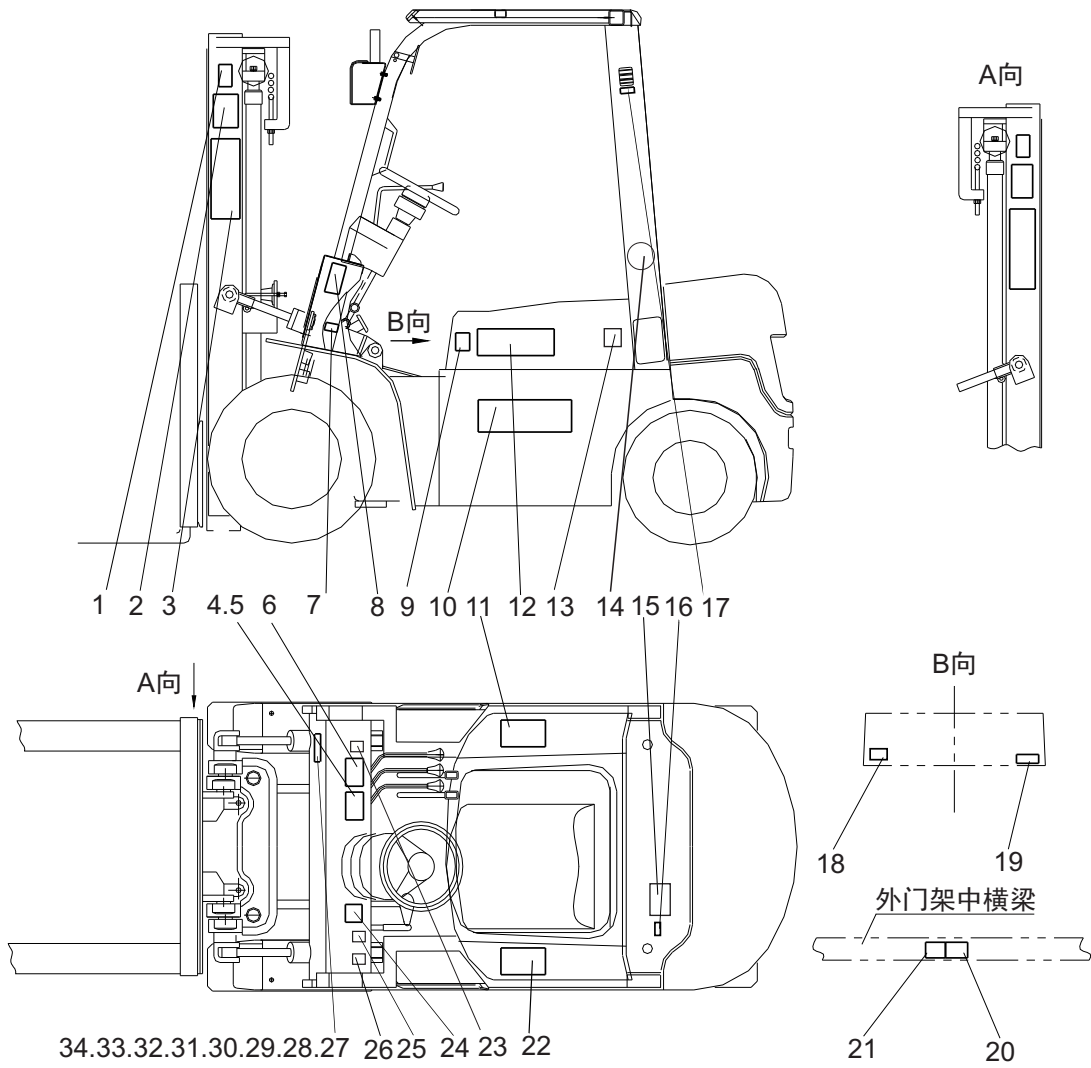


K 标牌(国内)  
K PLATE (HOMELAND)



K0J59-100011

**K 标牌 (国内)**  
**K PLATE (HOMELAND)**

序号 Item No.	图号 PartNo.	版本 Edition	零部件名称	Description	件数 Q'ty	备注 Remark	适用时间 Applied time
A	K0J59-100011	00	标牌 (国内)	Plate	1		
01	6TY40-10-01	00	起吊标牌	Plate, crane loading	2		
02	6TY40-01-27	00	安全标志标牌	Plate, safety	2		
03	6TY40-00-398	00	HELI 标牌	Plate, HELI	2		
04	6TY10-00-193	00	承载能力铭牌	Name plate	1		
05	B2391-2P410	00	铆钉2.4×10	Rivet	12	GB12618.3-2006	
06	K30J9-12001	00	整车铭牌	Plate	1		
07	K38J9-12011	00	轮胎气压(3.8t)	Plate, tire pressure	1		
08	6TY40-08-13	00	轮胎安全标牌	Plate, tire safety	1		
09	6TY40-108-01	00	气弹簧安全锁标识	Plate, shock absorber safety lock	1		
10	6TY40-11-01	00	合力叉车标牌	Plate, HELI forklift truck	2		
11	6TY40-02-49	00	润滑系统图标牌	Plate, lubrication chart	1		
12	K38J9-12021	00	K38吨位标牌	Plate, model	2		
13	6TY40-07-12	00	风扇安全标牌	Plate, fan safety	1		
14	6TY40-91-04	00	国三排放标签	Plate	2	用于柴油叉车 For diesel	
15	6TY40-26-06	00	铝制水箱警告标牌	Plate, caution	1		
16	6TY40-09-12	00	加防冻液标牌	Plate, antifreeze liquid	1		
17	6TY40-34-12	00	严禁冲水标牌	Plate, no washing	1		
18	6TY40-05-16	00	加液压油标牌	Plate, adding hydraulic oil	1		
19	K38J9-10021	00	容量标牌(2-3.8t)	Plate, capacity	1		
20	6TY40-15-16	00	注意伤手标牌	Plate, notice thumb hand	1		
21	6TY40-14-14	00	禁止进入门架后空间 标牌	Plate, padlok mast space	1		
22	6TY40-03-29	00	使用须知标牌	Plate, instruction	1		
23	6TY40-176-01	00	合力叉车微信二维码标 贴	HELI, WeChat QR code sticker	1		
24	6TY40-13-21	00	停车制动调整标牌	Plate, brake	1		
25	K0J59-12001	00	提示标牌	Plate, tips	1		
26	4CC90-00-24	00	启动告示标牌	Plate, tips	1		
27	HYBHB-CPC38- DC2K	00	环保信息标签CPC38- DC2K	Plate	1		
28	HYBHB-CPC38- QC2K	00	环保信息标签CPC38- QC2K	Plate	1		
29	HYBHB-CPC38- XC2K	00	环保信息标签CPC38- XC2K	Plate	1		
30	HYBHB-CPCD38- DC2K	00	环保信息标签CPCD38- DC2K	Plate	1		
31	HYBHB-CPCD38- QC2K	00	环保信息标签CPCD38- QC2K	Plate	1		
32	HYBHB-CPCD38- XC2K	00	环保信息标签CPCD38- XC2K	Plate	1		

K 标牌 (国内)  
K PLATE (HOMELAND)

序号 Item No.	图号 PartNo.	版本 Edition	零部件名称	Description	件数 Q'ty	备注 Remark	适用时间 Applied time
33	HYBHB-CPC38- YN1K	00	环保信息标签CPC38- YN1K	Plate	1		
34	HYBHB-CPCD38- YN1K	00	环保信息标签CPCD38- YN1K	Plate	1		
35							
36							
37							
38							
39							
40							
41							
42							
43							
44							
45							
46							
47							
48							
49							
50							
51							
52							
53							
54							
55							
56							
57							
58							
59							
60							
61							
62							
63							
64							
65							