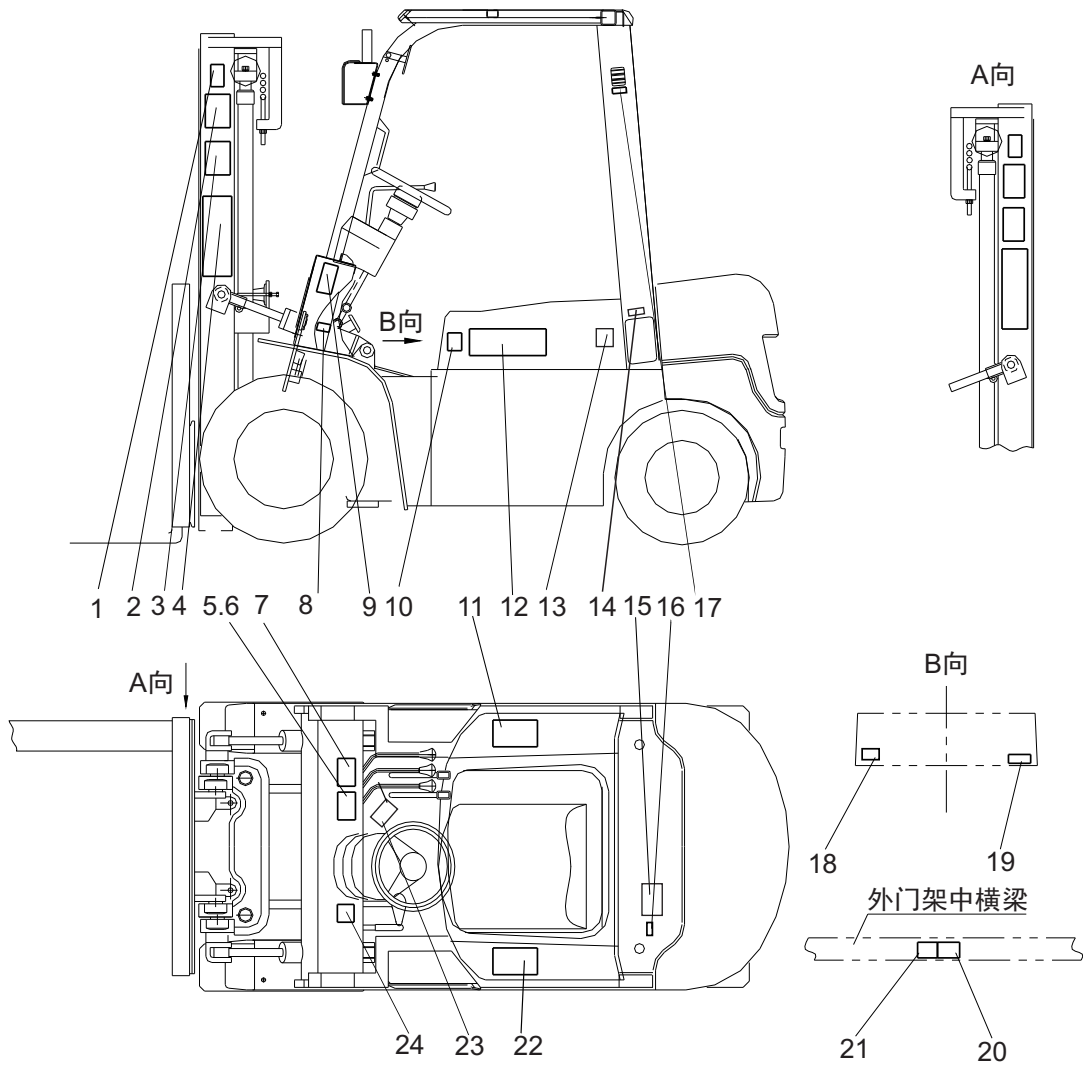


K 标牌(国外)
K PLATE (OVERSEAS)



K0J59-100012

K 标牌 (国外)
K PLATE (OVERSEAS)

序号 Item No.	图号 PartNo.	版本 Edition	零部件名称	Description	件数 Q'ty	备注 Remark	适用时间 Applied time
A	K0J59-100012	D00	标牌 (国外)	Plate	1		
01	6TY40-10-09	D00	起吊标牌	Plate, crane loading	2		
02	6TY40-01-09	D00	安全标志标牌	Plate, safety	2		
03	6TY40-17-01	D00	CE认证标牌	Plate, CE	2		
04	6TY40-00-398	D00	HELI 标牌	Plate, HELI	2		
05	6TY10-00-195	D00	承载能力铭牌	Name plate	1		
06	B2391-2P410	D00	铆钉2.4×10	Rivet	12	GB12618.3-2006	
07	6TY10-00-87	D00	整车铭牌	Plate	1		
08	K38J9-12001	D00	轮胎气压(3.8t)	Plate, tire pressure	1		
09	6TY40-08-08	D00	轮胎安全标牌	Plate, tire safety	1		
10	6TY40-108-02	D00	气弹簧安全锁标识	Plate, shock absorber safety lock	1		
11	6TY40-02-30	D00	润滑系统图标牌	Plate, lubrication chart	1		
12	K38J9-12021	D00	K38吨位标牌	Plate, model	2		
13	6TY40-07-08	D00	风扇安全标牌	Plate, fan safety	1		
14	6TY40-04-09	D00	加燃油标牌	Plate	1		
15	6TY40-26-07	D00	铝制水箱警告标牌	Plate, caution	1		
16	6TY40-09-08	D00	加防冻液标牌	Plate, antifreeze liquid	1		
17	6TY40-34-06	D00	严禁冲水标牌	Plate, no washing	1		
18	6TY40-05-08	D00	加液压油标牌	Plate, adding hydraulic oil	1		
19	K38J9-10031	D00	容量标牌(2-3.8t)	Plate, capacity	1		
20	6TY40-15-09	D00	注意伤手标牌	Plate, notice thumb hand	1		
21	6TY40-14-07	D00	禁止进入门架后空间标 牌	Plate, padlok mast space	1		
22	6TY40-03-17	D00	使用须知标牌	Plate, instruction	1		
23	H45Y9-12021	D00	防护蜡去除注意事项标 牌	Plate, notice	1		
24	6TY40-13-10	D00	停车制动调整标牌	Plate, brake	1		
25							
26							
27							
28							
29							
30							
31							
32							